

IPPC Series 10" 12" 15" 17"



I/O View



IPPC1003-PC



IPPC1203-RE



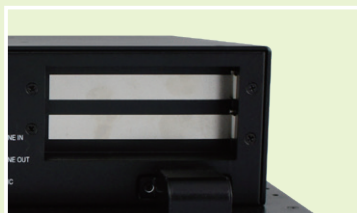
IPPC1503-RE

Features

- Cost effective
- Low power consumption
- IP65-rated front bezel



- PCI-E (x1) and PCI expansion  
(Not for IPPC1003-PC)



- Front-side access USB 2.0 port  
(IPPC1503-RE / IPPC1703-RE / IPPC1903-RE only)



- Projected capacitive touch screen  
(IPPC1003-PC only)



Vertical Applications Panel PC  
 INOSP: Stainless Steel Panel PC  
 ASTUT: All-in-one Panel PC with Riser Card Expansion  
 BYTEM: Compact Panel PC  
 IPPC: Heavy-duty Industrial Panel PC  
 OFP FRAME PC  
 BYARM/MRS: ARM-Based Panel PC

# IPPC1003-PC / IPPC1203-RE

## Specifications

Model No.		IPPC1003-PC	IPPC1203-RE
Display & Touch Screen	Display Size	10.4" TFT-LCD	12.1" TFT-LCD
	Max. Resolution	1024 x 768	1024 x 768
	Luminance (cd/m <sup>2</sup> )	350	350
	Contrast	700:1	800:1
	Max. Color	16.7M	16.7M
	View Angle (H°/V°)	150/150	170/170
	Backlight Lifetime(hrs)	30,000	30,000
	Touch Type	Projected capacitive	Resistive
	Touch Interface	USB	USB
	Light Transmission (%)	85	79
	Point of touch	Up to 2	1
I/O Interface	USB 3.0	1	1
	USB 2.0	1	2 at rear side
	RS-232/422/485 Selectable in BIOS	1	1
	RS-232	1	1
	LAN	1x GbE	2x GbE
	Additional Graphics	DP and VGA	1x VGA and DVI-D
	Audio	None	MIC in/ Line in/Line out phone jack
	Digital I/O	None	None
	Power Connector	Power jack	Terminal block (Jack type as option)
	Power Button	Rock switch	Rock switch
Mechanical	Dimensions (mm)	286 x 236 x 51.5	320 x 270 x 101
	Net Weight (kgs)	2.2	7.5
System	Processor	Intel® Atom™ Processor E3815 1.46GHz	Intel® Celeron® Processor J1900 2.42GHz
	Memory	1x DDR3L SO-DIMM, up to 4GB, default 2GB	2 x DDR3L SO-DIMM, up to 8GB, default 4GB
	Thermal Design	Fanless	Fanless
	Membrane Control	None	None
	Built-in Speaker/MIC	None	None
Expansion	Internal Expansion Bus	1x Mini PCI-E(x1) [full/half-size] 2x Mini PCI-E(x1) [half-size]	1x Mini PCI-E half size 1x Mini PCI-E full/half size, mSATA support
	Expansion Slot	None	1x PCI-E (x1) and 1x PCI
	Wireless	Optional	Optional
Storage Space	HDD	1x 2.5" SATA	1x 2.5" SATA HDD, default 2.5" 64G MLC SSD
	Removable	None	None
Power	Power Input Range	12V DC	12V/24V DC input
Construction	Chassis Material	SGCC with aluminum heat-sink, Black	SGCC
	Color (Front/Back)	Black/Black	Black / Black
	IP Rating	IP65 rated front bezel	Front IP65/Back IP30
	Mounting	Panel mount and VEAS 75x75mm	VESA 75x75 / 100x100, panel mounting
Environmental	Operating Temperature	-20°C ~ 50°C	0°C ~ 50°C (with SSD) 0°C ~ 40°C (with HDD)
	Storage Temperature	-30°C ~ 80°C	-20°C~60°C
	Storage Humidity	10%~90% (non-condensing)	10%~90% (non-condensing) at 40°C
	Certification	CE/FCC class B and LVD	CE/FCC class B and LVD/CB/CCC
	Supported Operating Systems	Windows 8 32/64-bit, Windows 7 Pro for Embedded 64-bit, WES7 64-bit	Windows 7 Professional/WES 7and 8/Windows 8.1/ Windows 10 Linux Kernel 3.X

# IPPC1503-RE / IPPC1703-RE / IPPC1903-RE

## Specifications

Model No.	IPPC1503-RE	IPPC1703-RE	IPPC1903-RE	
Display & Touch Screen	Display Size	15" TFT-LCD	17" TFT-LCD	19"
	Max. Resolution	1024 x 768	1280 x 1024	1280 x 1024
	Luminance (cd/m <sup>2</sup> )	420	250	350
	Contrast	800:1	1000 : 1	1000:1
	Max. Color	16.2M	16.7M	16.7M
	View Angle (H°/V°)	160/160	178/170	170/160
	Backlight Lifetime(hrs)	30,000	50,000	50,000
	Touch Type	Resistive		
	Touch Interface	USB		
	Light Transmission (%)	79	80	80
	Point of touch	1		
I/O Interface	USB 3.0	1		
	USB 2.0	2 at rear and 1 at front side with cover		
	RS-232/422/485 Selectable in BIOS	1		
	RS-232	1		
	LAN	2x GbE		
	Additional Graphics	1x VGA and DVI-D		
	Audio	MIC in/ Line in/Line out phone jack		
	Digital I/O	None		
	Power Connector	Terminal block (Jack type as option)		
	Power Button	Rock switch		
	Mechanical	Dimensions (mm)	410 x 335 x 105	442 x 377 x 102.5
Net Weight (kgs)		8.7	9.7	10.97
System	Processor	Intel® Celeron® Processor J1900 2.42GHz		
	Memory	2x DDR3L SO-DIMM, up to 8GB, default 4GB		
	Thermal Design	Fanless		
	Membrane Control	None		
	Built-in Speaker/MIC	None		
Expansion	Internal Expansion Bus	1x Mini PCI-E half size 1x Mini PCI-E full/half size, mSATA support		
	Expansion Slot	1x PCI-E (x1) and 1x PCI		
	Wireless	Optional		
Storage Space	HDD	1x 2.5" SATA HDD, default 2.5" 64G MLC SSD		
	Removable	None		
Power	Power Input Range	12V/24V DC input		
Construction	Chassis Material	SGCC		
	Color (Front/Back)	Black / Black		
	IP Rating	Front IP65/Back IP30		
	Mounting	VESA 75x75 / 100x100, panel mounting		
Environmental	Operating Temperature	0°C ~ 50°C (with SSD) 0°C ~ 40°C (with HDD)		
	Storage Temperature	-20°C~60°C		
	Storage Humidity	10%~90% (non-condensing) at 40°C		
	Certification	CE / FCC class B and LVD		
	Supported Operating Systems	Windows 7 Professional/ WES 7and 8/ Windows 8.1/ Windows 10 Linux Kernel 3.X		

Vertical Applications Panel PC

INOSP: Stainless Steel Panel PC

ASTUT: All-in-one Panel PC with Riser Card Expansion

BYTEM: Compact Panel PC

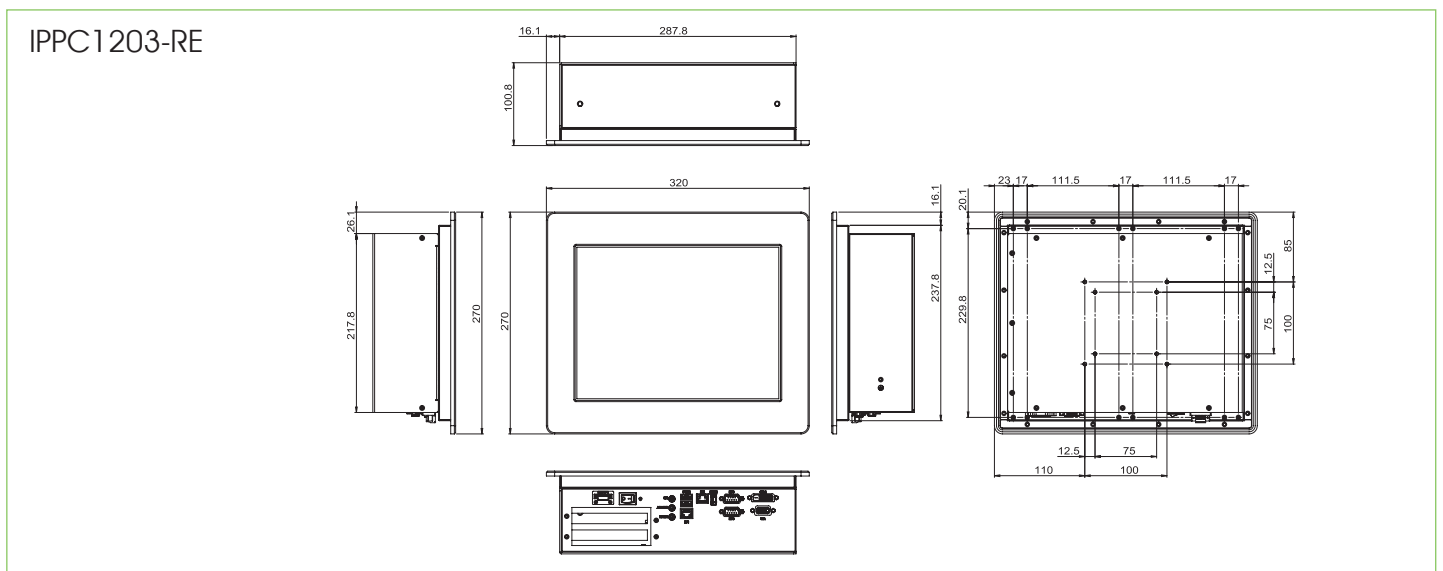
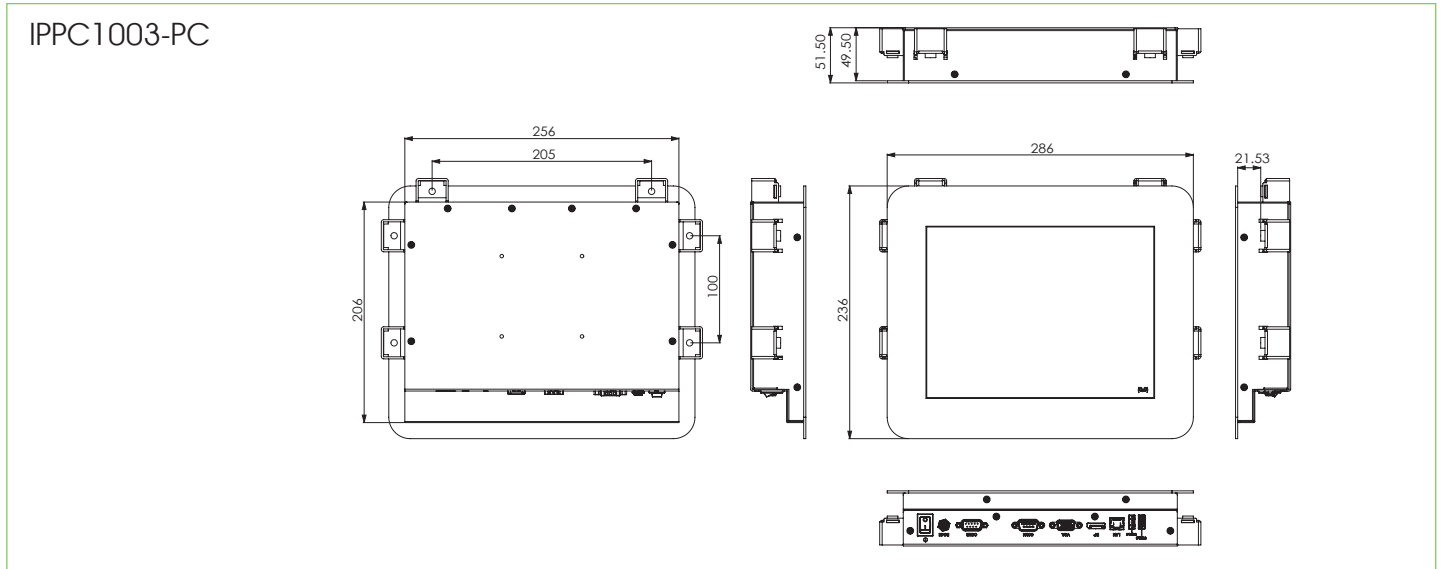
IPPC: Heavy-duty Industrial Panel PC

OPF FRAME PC

BYARM/MRS: ARM-Based Panel PC

# IPPC1003-PC / IPPC1203-RE

## Dimensions



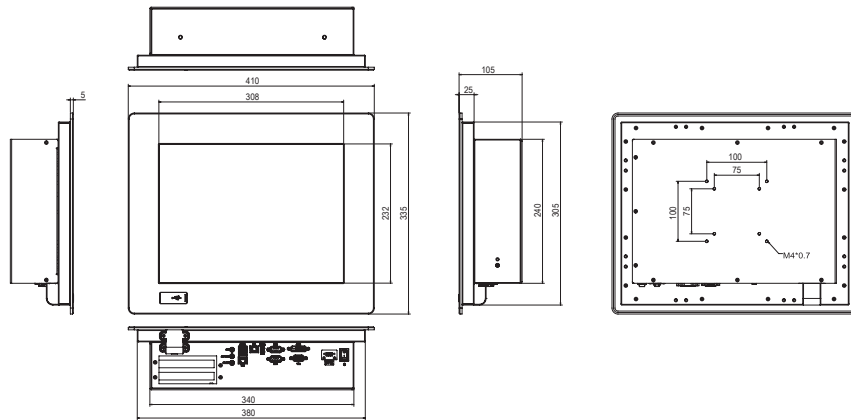
## Ordering Information

IPPC1003-PC	10.4" (1024 x 768) Panel PC with IB898, Intel® Atom™ Processor E3815 1.46GHz, 2GB DDR3L SO-DIMM, 64G SSD, projected capacitive touch, 60W power adaptor
IPPC1203-RE	12.1" (1024 x 768) Panel PC with MI805, Intel® Celeron® Processor J1900 2.42 GHz, 4GB RAM, 64GB MLC SSD, PCI-E (x1) and PCI riser card, resistive touch screen, 12V or 24V DC power input, 24V power adaptor

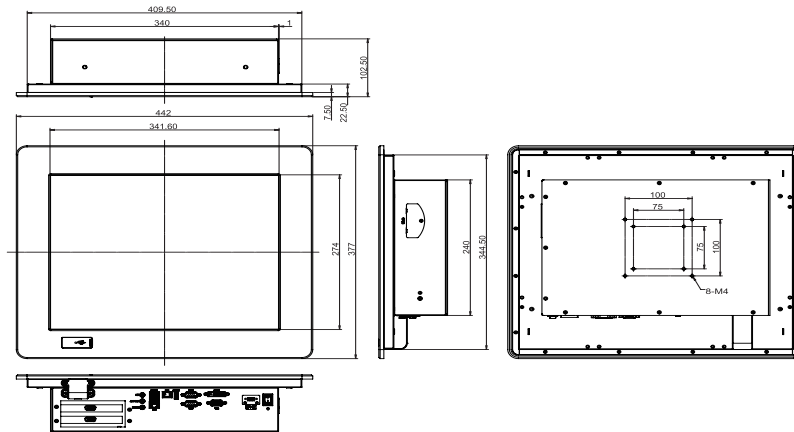
# IPPC1503-RE / IPPC1703-RE / IPPC1903-RE

## Dimensions

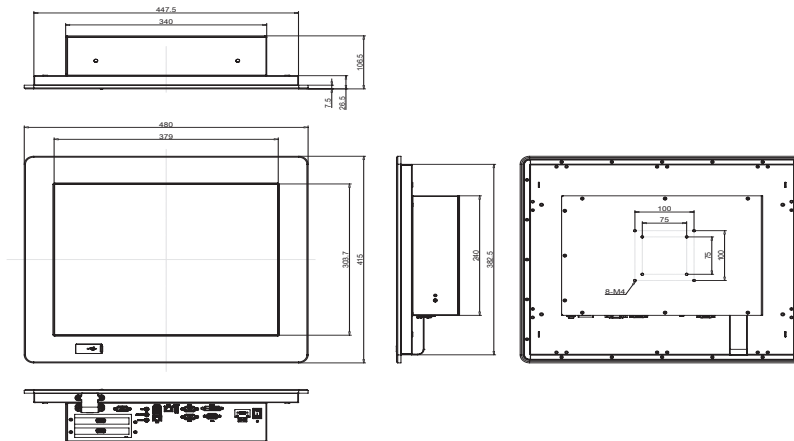
IPPC1503-RE



IPPC1703-RE



IPPC1903-RE



## Ordering Information

IPPC1503-RE	15" (1024 x 768) Panel PC with MI805, Intel® Celeron® Processor J1900 2.42 GHz, 4GB RAM, 64GB MLC SSD, PCI-E (x1) and PCI riser card, resistive touch screen, 12V or 24V DC power input, w/o power adaptor
IPPC1703-RE	17" (1280 x 1024) Panel PC with MI805, Intel® Celeron® Processor J1900 2.0 GHz, 4GB DDR3L SO-DIMM, 64G SSD, resistive touch screen, w/o power adaptor
IPPC1903-RE	19.1" (1024 x 768) Panel PC with MI805, Intel® Celeron® Processor J1900 2.42 GHz, 4GB RAM, 64GB MLC SSD, PCI-E (x1) and PCI riser card, resistive touch screen, 12V or 24V DC power input, 24V power adaptor

Vertical Applications  
Panel PC

INOSP: Stainless Steel  
Panel PC

ASTUT: All-in-one Panel PC  
with Riser Card Expansion

BYTEM: Compact Panel PC

IPPC: Heavy-duty  
Industrial Panel PC

OPF FRAME PC

BYARM/MRS:  
ARM-Based Panel PC